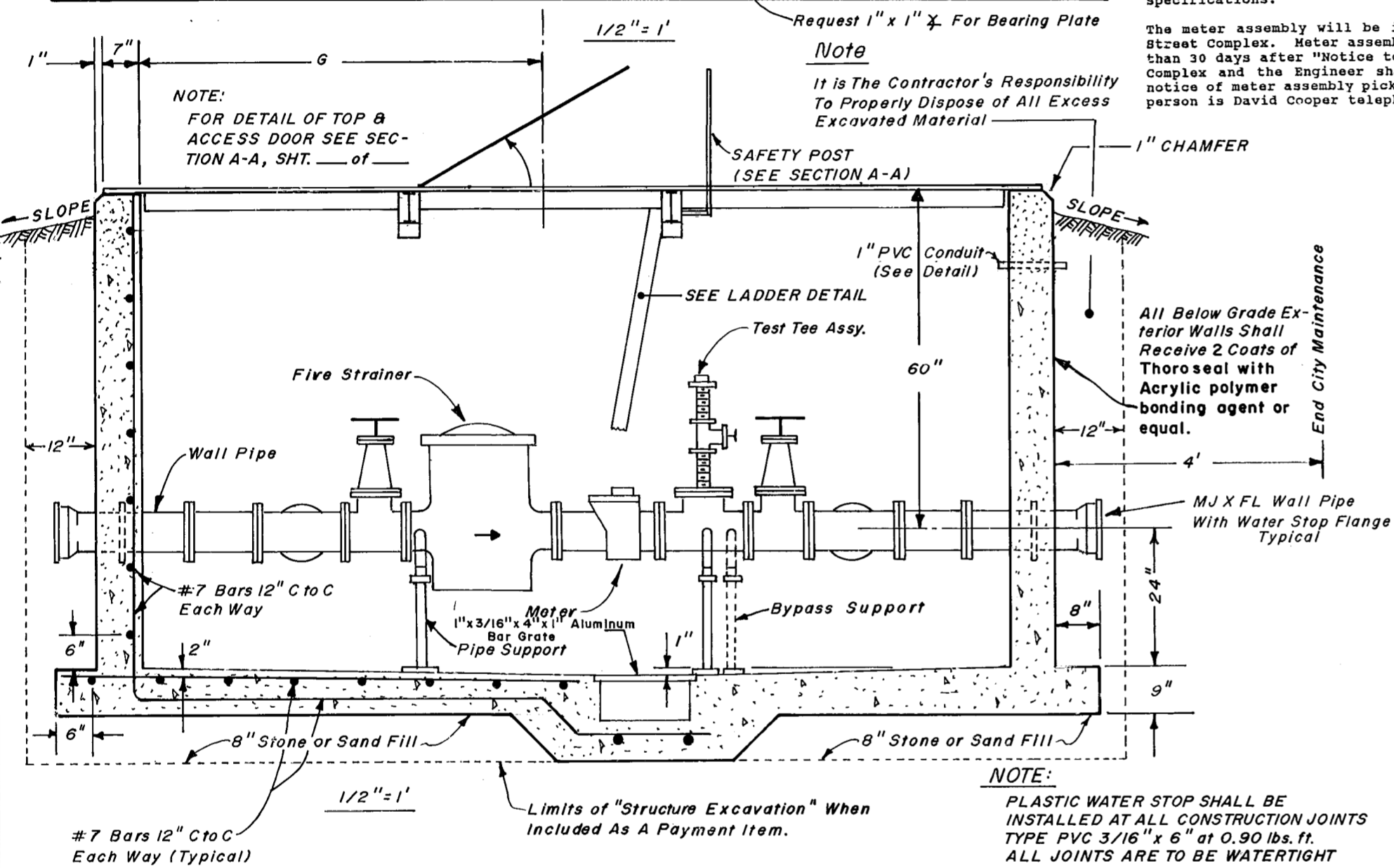


NOTE: The meter assembly as outlined above will be supplied by the City as a unit. Contractor shall include all costs of labor, materials and equipment necessary to transport and install the complete meter assembly as shown and in accordance with plans and specifications.

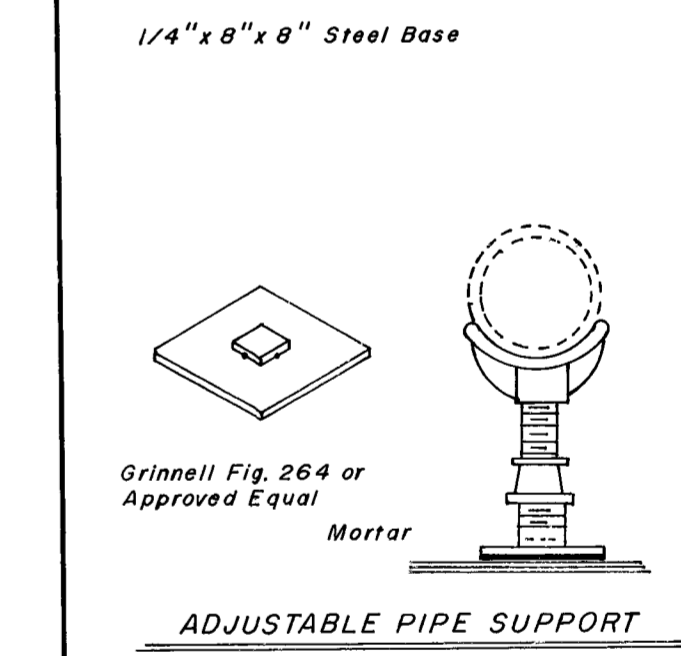
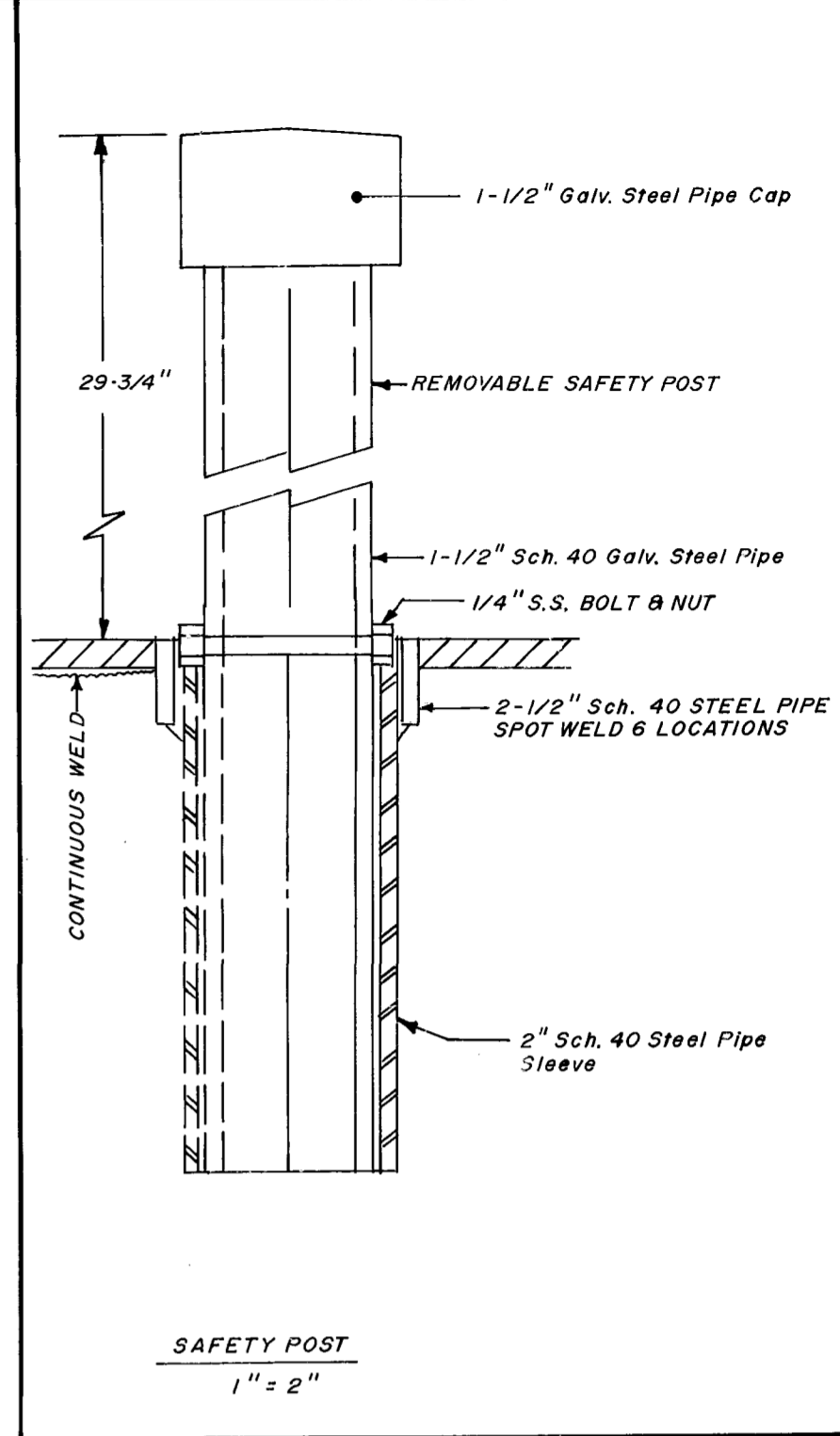
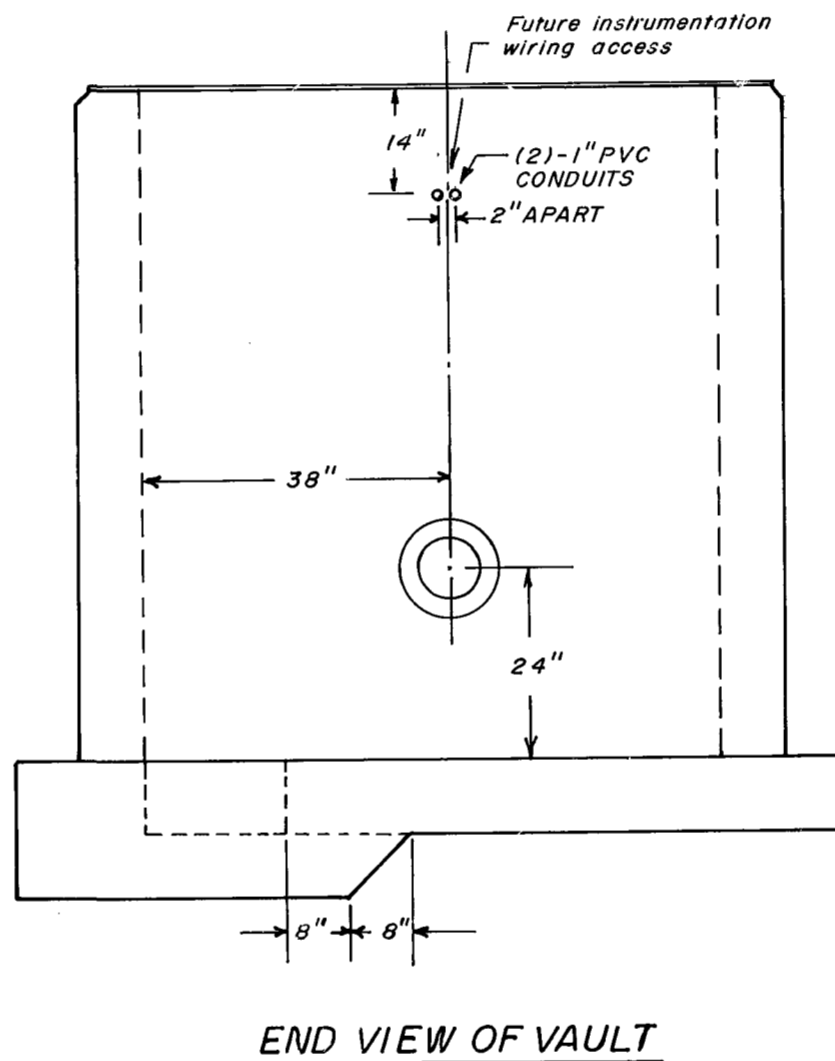
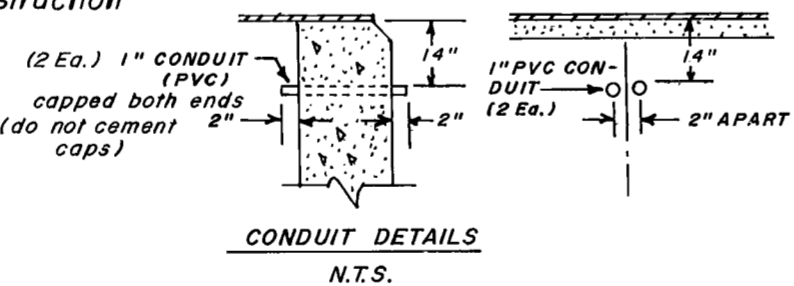
The meter assembly will be issued to the contractor at the 60th Street Complex. Meter assembly units will be available not later than 30 days after "Notice to Proceed" is given. The 60th Street Complex and the Engineer shall be given three (3) working days notice of meter assembly pick-up. The 60th Street Complex Contact person is David Cooper telephone number 247-2685.

Note
It is The Contractor's Responsibility To Properly Dispose of All Excess Excavated Material



TYPICAL INSTALLATION - NONTRAFFIC
Note: Approved Site Plan Required Prior To Vault Construction

NOTE:
PLASTIC WATER STOP SHALL BE INSTALLED AT ALL CONSTRUCTION JOINTS TYPE PVC 3/16" x 6" at 0.90 lbs./ft. ALL JOINTS ARE TO BE WATERTIGHT



Meter Size	Bypass Size	A	B	C	D	E	F	G	L	W
3"									10'-0" (120")	6'-0" (72")
4"	4"	4" Nipple 12.0"	4x4x4 Tee 13.0"	4" Valve 9.0"	Conv. Strainer 7.5"	4" Meter 14.0"	Test Assy. 13.0"	51.1"	10'-0" (120")	6'-0" (72")
6"	4"	6" Nipple 12.0"	6x6x4 Tee 16.0"	6" Valve 10.5"	Fire Strainer 26.88"	6" Meter 18.0"	Test Assy. 16.0"	71.2"	13'-0" (156")	6'-0" (72")
8"	4"	8" Nipple 11.0"	8x8x4 Tee 18.0"	8" Valve 11.5"	Fire Strainer 31.31"	8" Meter 20.0"	Test Assy. 18.0"	77.0"	14'-0" (168")	6'-0" (72")
10"	8"	10" Nipple 12.0"	10x10x8 Tee 22.0"	10" Valve 13.0"	Fire Strainer 35.75"	10" Meter 26.0"	Test Assy. 22.0"	88.3"	16'-6" (198")	6'-6" (78")

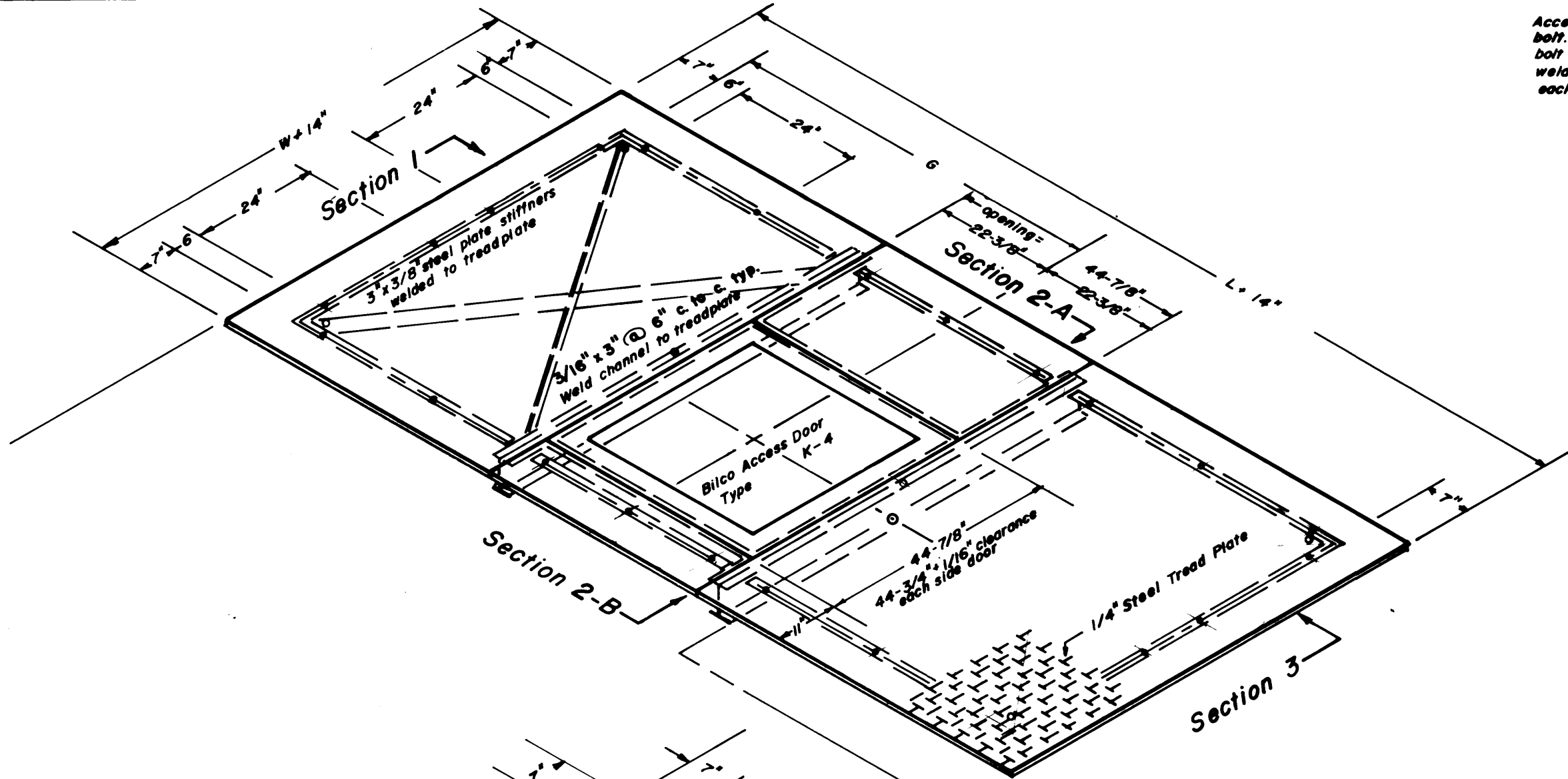
Dimensions Shown are Nominal Lengths of Flanged Fittings With No Allowance For Gaskets, Manufacturers Tolerances, Etc.

REVISION BLOCK		
DATE	DESCRIPTION	INT.
7-30-91	MODIFIED VAULT & LID	WLR
2/19/92	Addendum No. 2 (Feb. 14/92)	LW

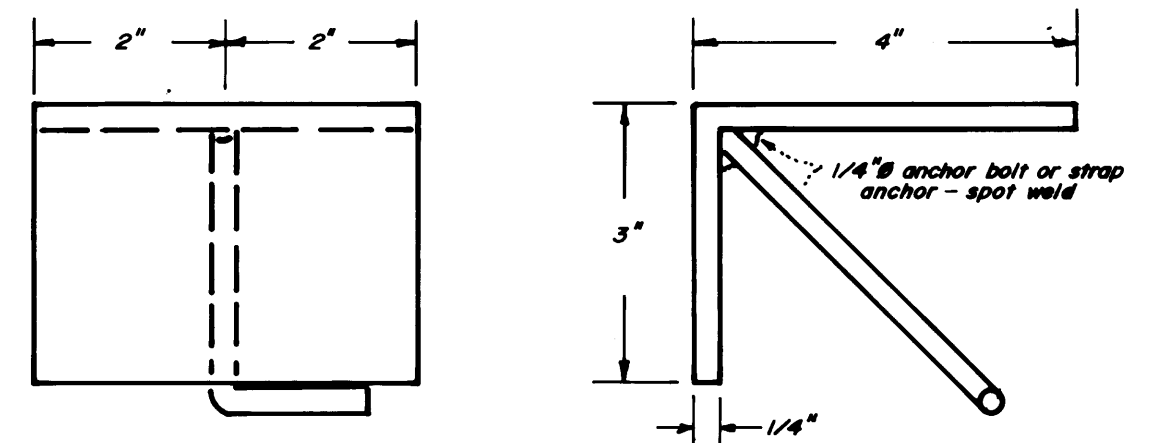
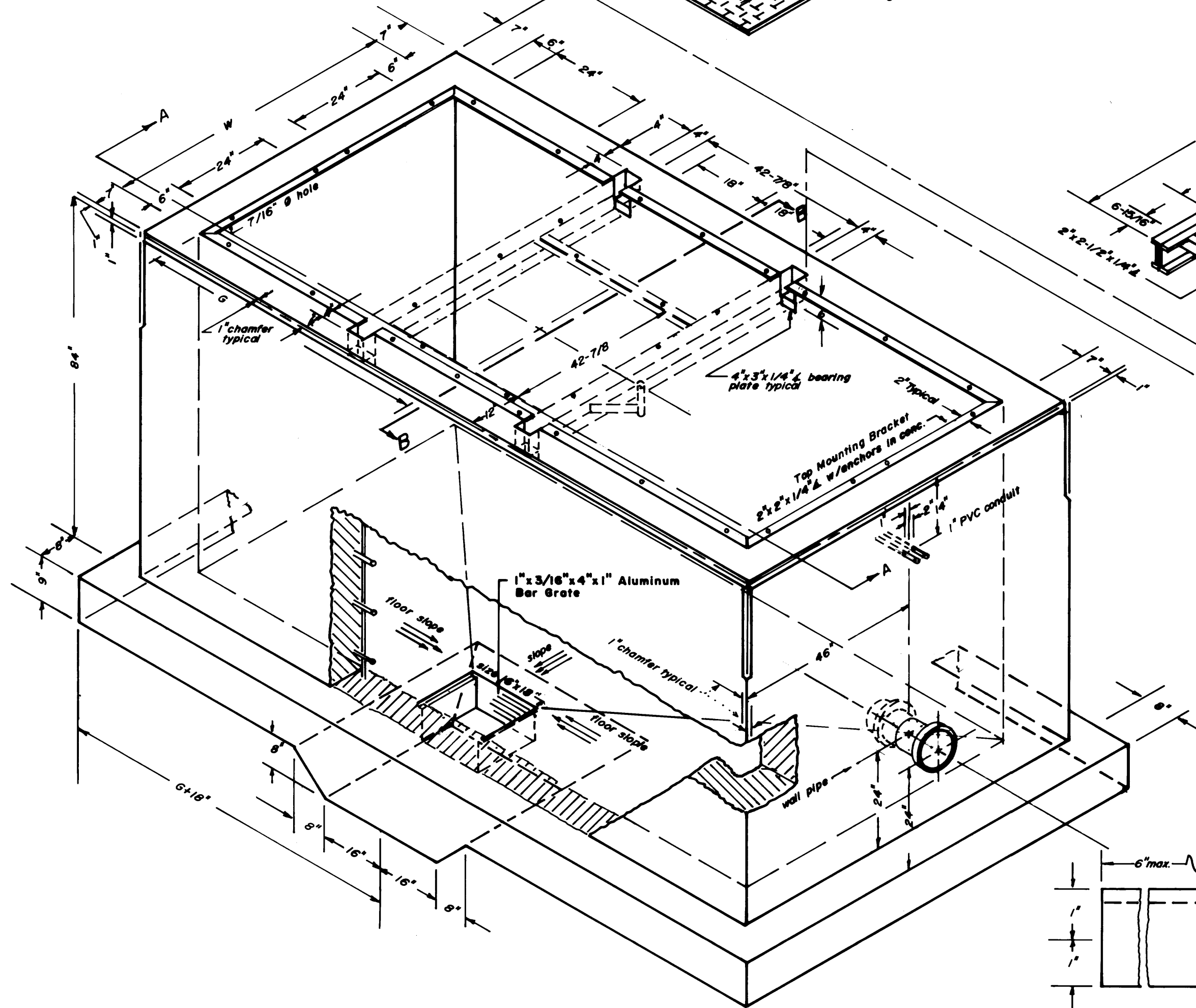
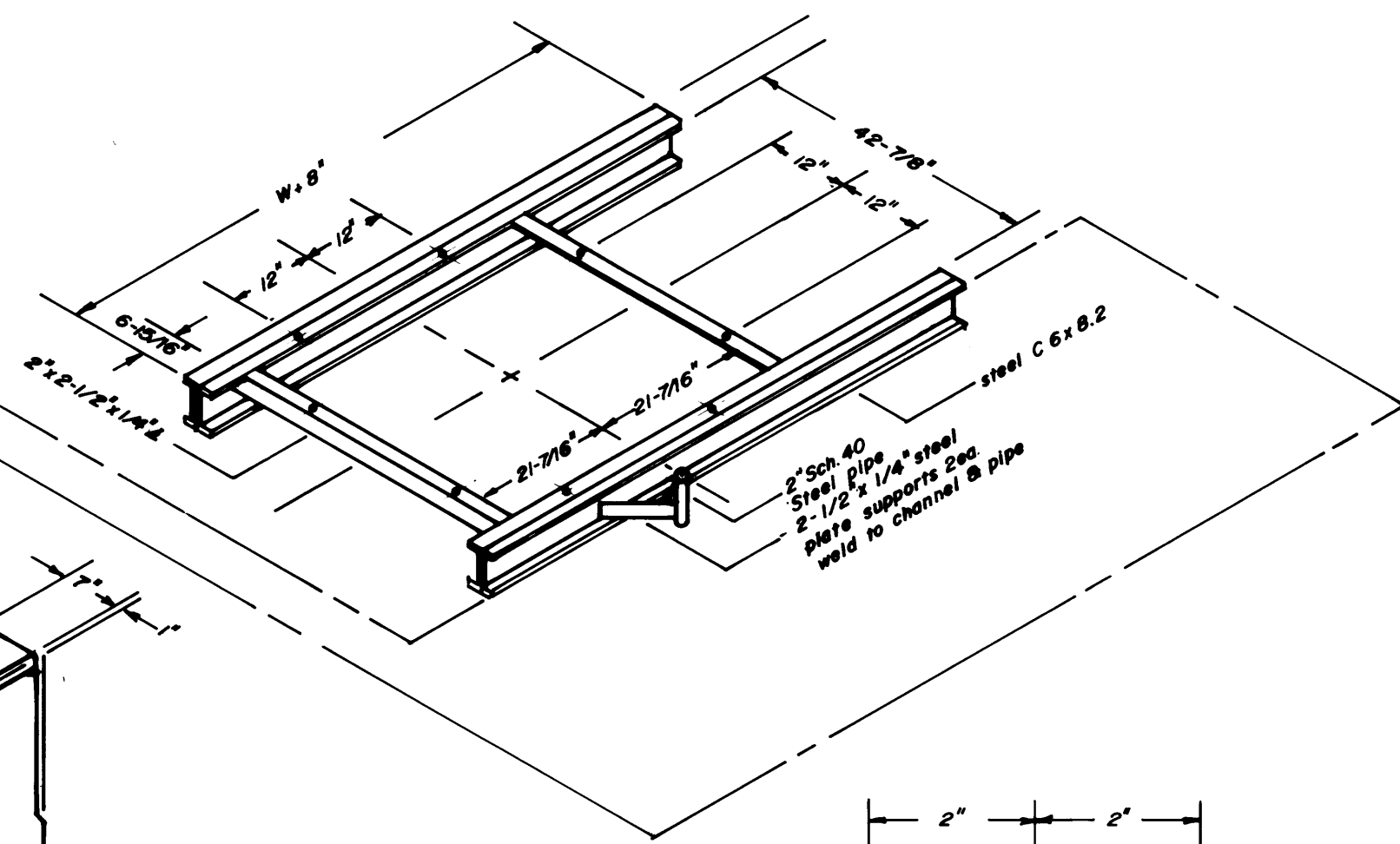
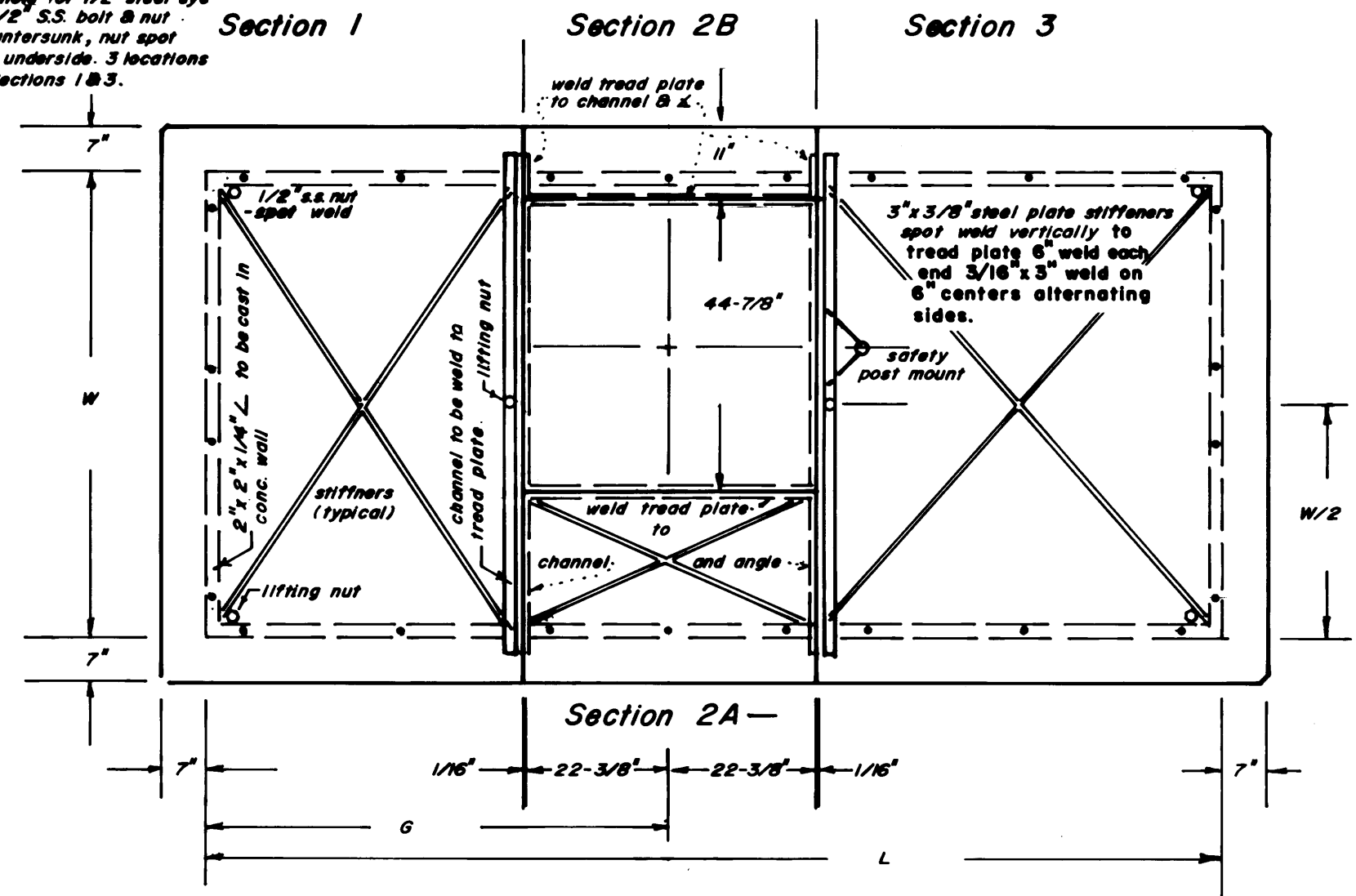
CITY OF NEWPORT NEWS
DEPARTMENT OF PUBLIC UTILITIES
NEWPORT NEWS, VIRGINIA 23607

NON-TRAFFIC VAULT FOR 3" THRU 10"
TURBINE METER ASSEMBLIES
(STANDARD VAULT)

DWG. No. 91-C-10	SCALE AS SHOWN	DATE 5/7/91
DWG. FILE No. HA-1470	DWN. BY WLR	CKD. BY G.F.H.
PRINT FILE No. N-8252		

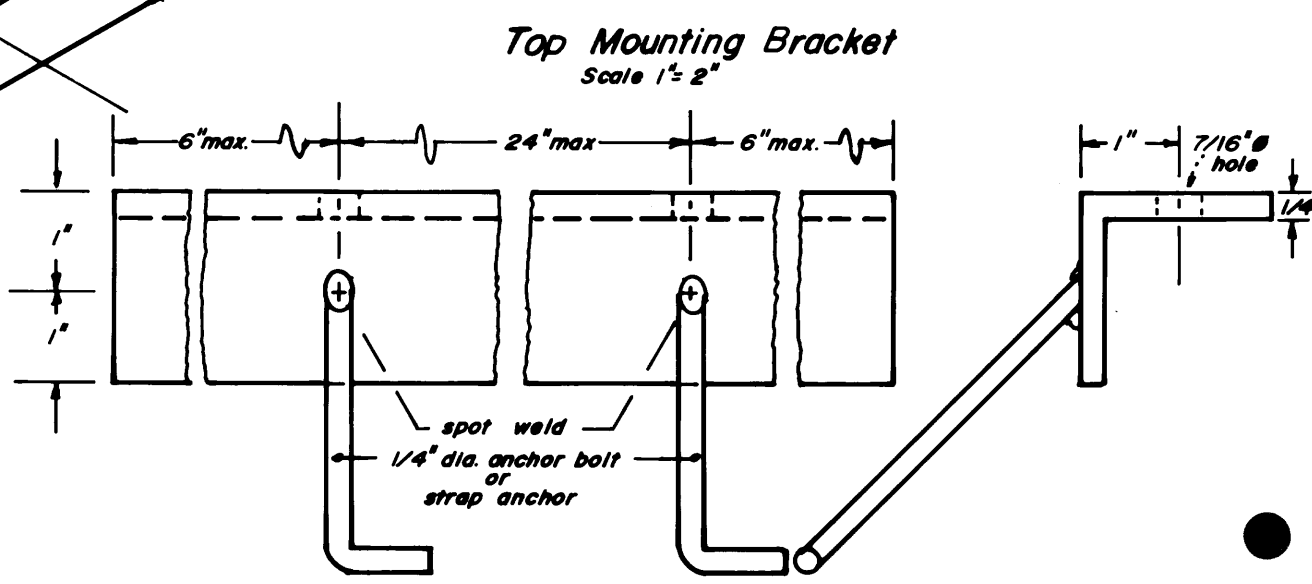


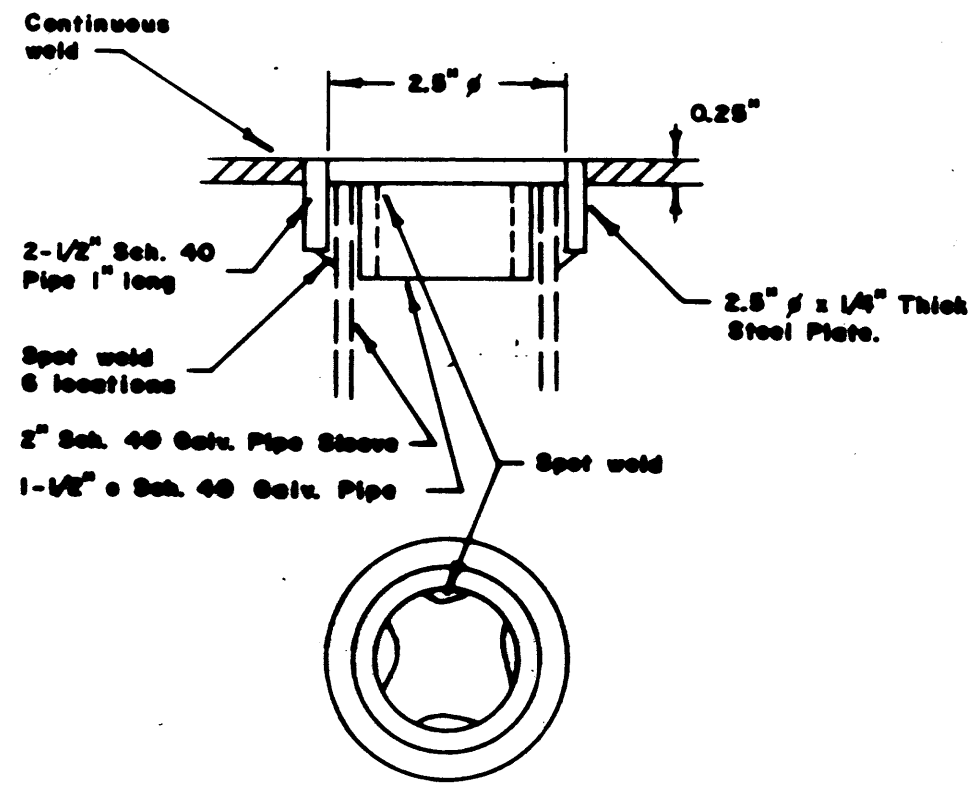
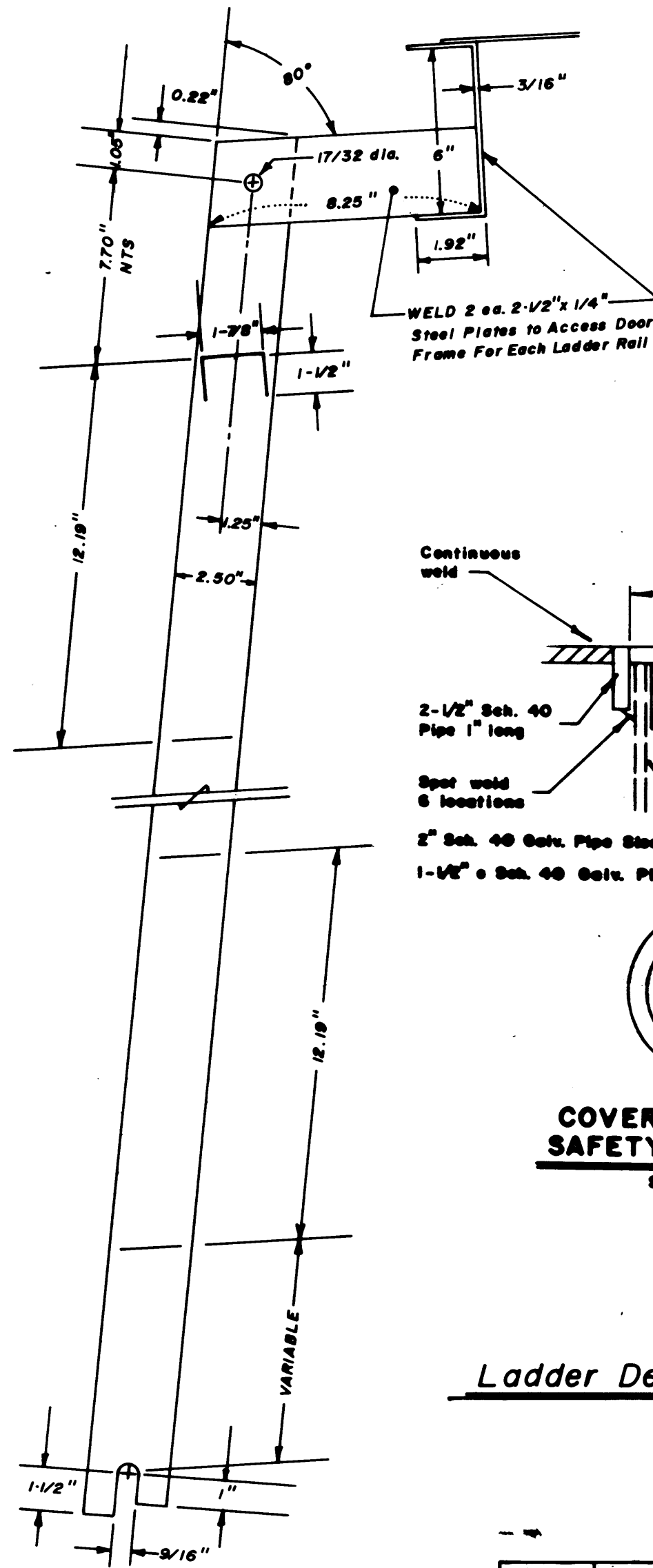
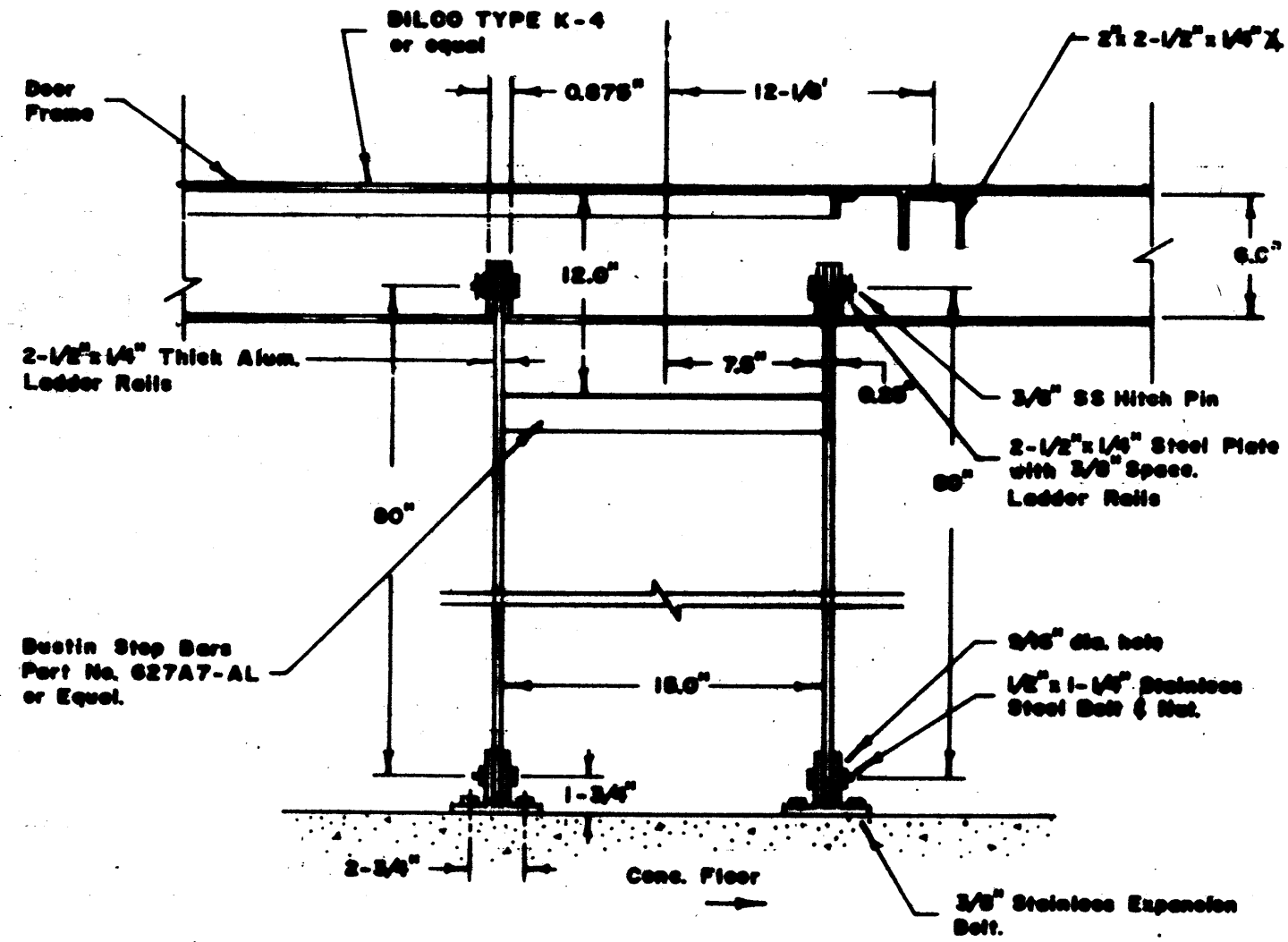
Access hole for 1/2" steel eye bolt. 1/2" S.S. bolt & nut bolt countersunk, nut spot weld to underside. 3 locations each, Sections 1 & 3.



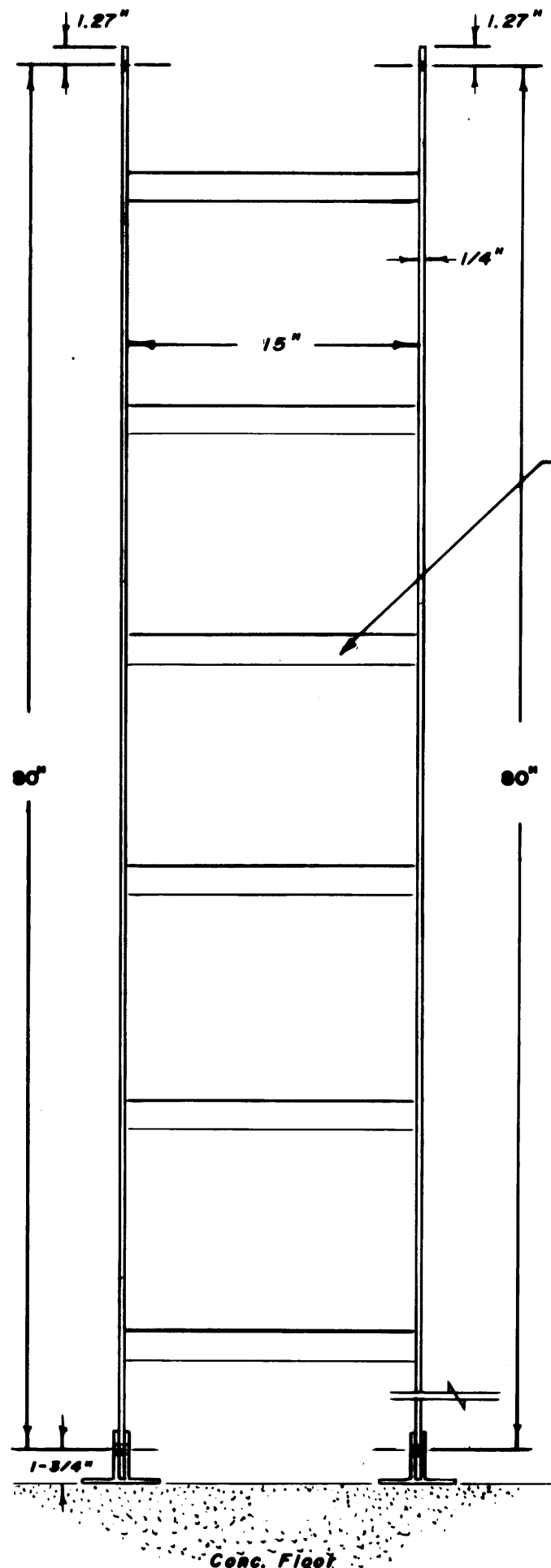
Bearing Plate
Scale 1" = 2"

2/19/92	Addendum No. 2 (Feb. 14/92)	LW
DATE	DESCRIPTION	INT.
REVISION BLOCK		
CITY OF NEWPORT NEWS DEPARTMENT OF PUBLIC UTILITIES NEWPORT NEWS, VIRGINIA 23607		
NON-TRAFFIC VAULT FOR 3" THRU 10" TURBINE METER ASSEMBLIES (STANDARD VAULT)		
DWG. No.	91-C-10A	SCALE 1" = 2"
DWG. FILE No.	HA-1470-A	DWN. BY G.F.H.
PRINT FILE No.	N-8252-A	CKD. BY H.T.P.
		DATE 7/31/91

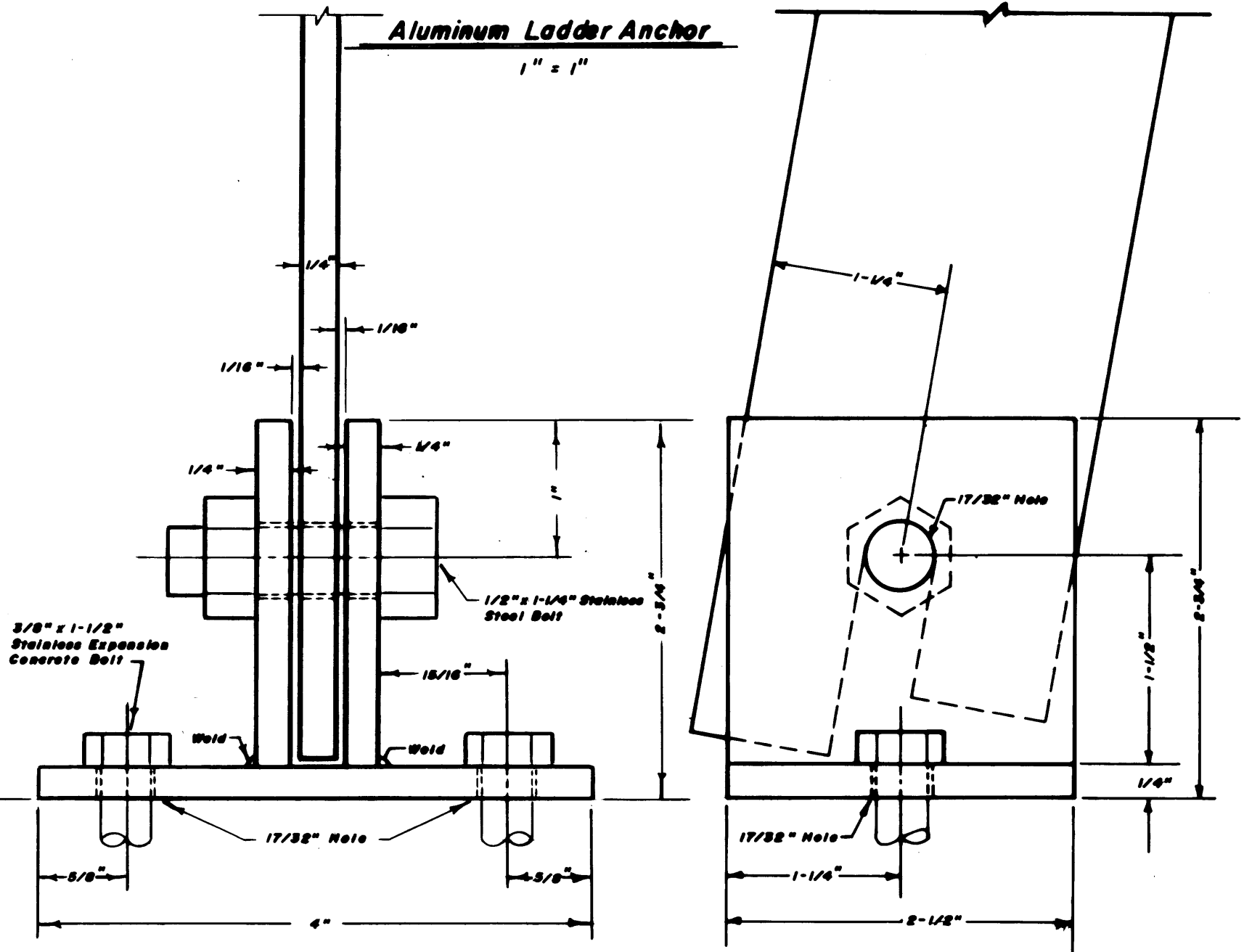




COVER PLATE FOR SAFETY POST MOUNT
Scale: 1/2" = 1"



Buatin Step Bars Part No. 627A7-AL or Equal



Ladder Details

REVISION BLOCK		
Date	Description	Int.
10-26-94	Added Cover Plate	G.H.

CITY OF NEWPORT NEWS
 DEPARTMENT OF PUBLIC UTILITIES
 NEWPORT NEWS, VIRGINIA 23607

NON-TRAFFIC MAULT FOR 3" THRU 10" TURBINE METER ASSEMBLIES (STANDARD MAULT)

DWG. No. 91-C-11	SCALE AS SHOWN	DATE
DWG. FILE No. HA-1471	DWN. BY WLR	5/7/91
PRINT FILE No. N-8253	CKD. BY G.F.H.	